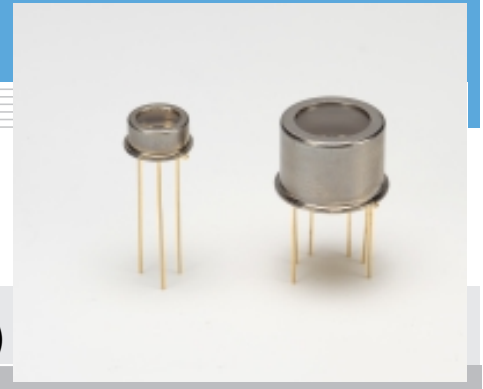


InAs photovoltaic detector P10090 series



Low noise, high reliability infrared detectors (for 3 μm band)

InAs photovoltaic detectors have high sensitivity in the infrared region around 3 μm as with PbS photoconductive detectors, and also feature low noise and high reliability. P10090 series is a new family of InAs photovoltaic detectors that deliver even higher sensitivity than our conventional products (P8079 series).

Features

- Low noise
- High reliability
- High detectivity (D*)
- Available in multi-element arrays (custom product)

Applications

- Gas analysis
- Laser detection
- Infrared spectrophotometry
- Radiation thermometer

Accessories (Optional)

- Heatsink for one-stage TE-cooled type A3179
- Heatsink for two-stage TE-cooled type A3179-01
- Temperature controller C1103-04
- Infrared detector module with preamp P4631-01
- Amplifiers for InAs photovoltaic detector (custom-made product)

■ Specifications/Absolute maximum ratings

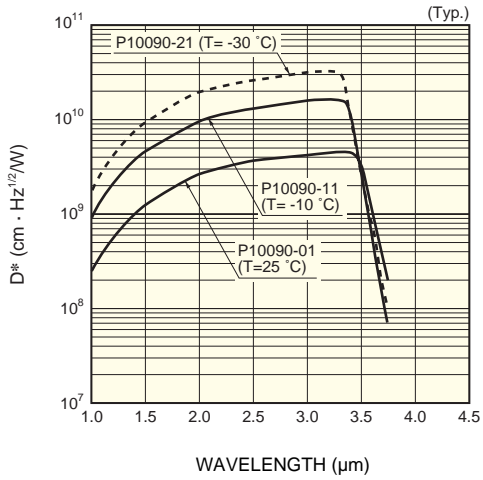
Type No.	Dimensional outline/ Window material *	Package	Cooling	Active area (mm)	Absolute maximum ratings			
					Thermistor power dissipation (mW)	Reverse voltage V _R (V)	Operating temperature T _{opr} (°C)	Storage temperature T _{stg} (°C)
P10090-01	①/S	TO-5	Non-cooled	φ1	-	0.5	-40 to +60	-40 to +80
P10090-11	②/S	TO-8	One-stage TE-cooled		0.2			
P10090-21			Two-stage TE-cooled					

* Window material S: sapphire glass

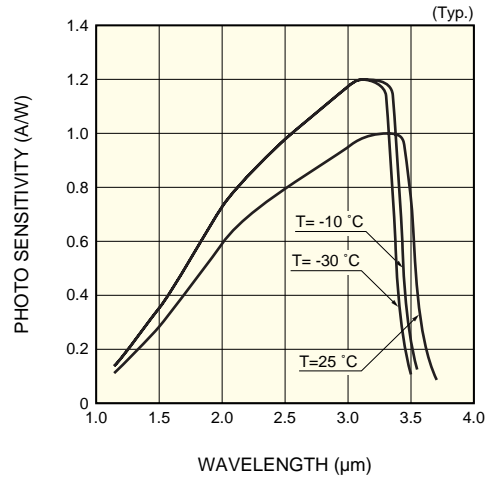
■ Electrical and optical characteristics (Typ. unless otherwise noted)

Type No.	Measurement condition Element temperature T (°C)	Peak sensitivity wavelength λ _p (μm)	Cut-off wavelength λ _c (μm)	Photo sensitivity S λ=λ _p (A/W)	Shunt resistance R _{sh}		D* (λ _p , 600, 1)		NEP λ=λ _p (W/Hz ^{1/2})	Rise time tr V _R =0 V R _L =50 Ω 0 to 63 % (μs)
					Min. (Ω)	Typ. (Ω)	Min. (cm·Hz ^{1/2} /W)	Typ. (cm·Hz ^{1/2} /W)		
	P10090-01	25	3.35	3.65	1.0	40	70	3.0 × 10 ⁹	4.5 × 10 ⁹	1.5 × 10 ⁻¹¹
P10090-11	-10	3.30	3.55	1.2	250	400	1.0 × 10 ¹⁰	1.6 × 10 ¹⁰	5.3 × 10 ⁻¹²	0.45
P10090-21	-30	3.25	3.45		1000	1300	2.0 × 10 ¹⁰	3.2 × 10 ¹⁰	2.8 × 10 ⁻¹²	0.30

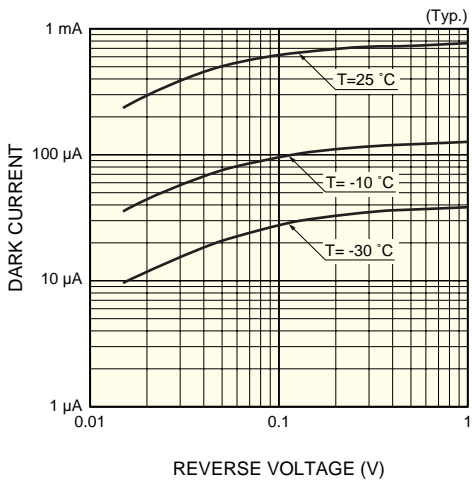
Spectral response (D*)



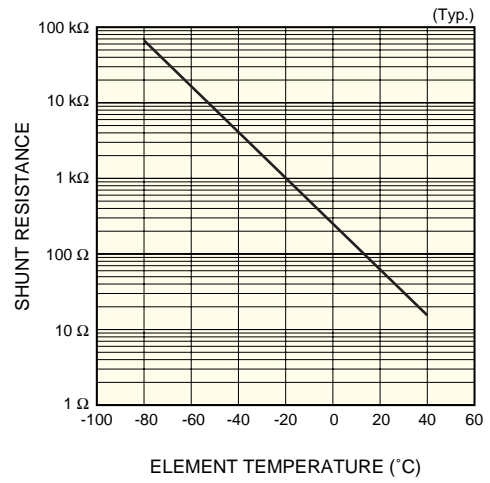
Spectral response



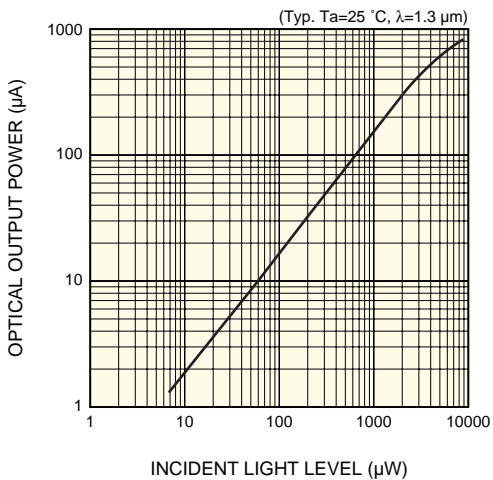
Dark current vs. reverse voltage



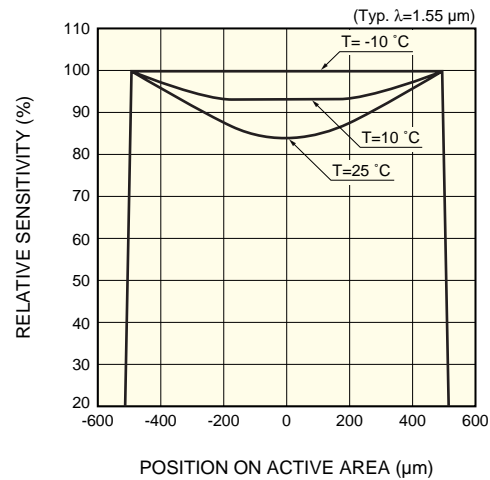
Shunt resistance vs. element temperature



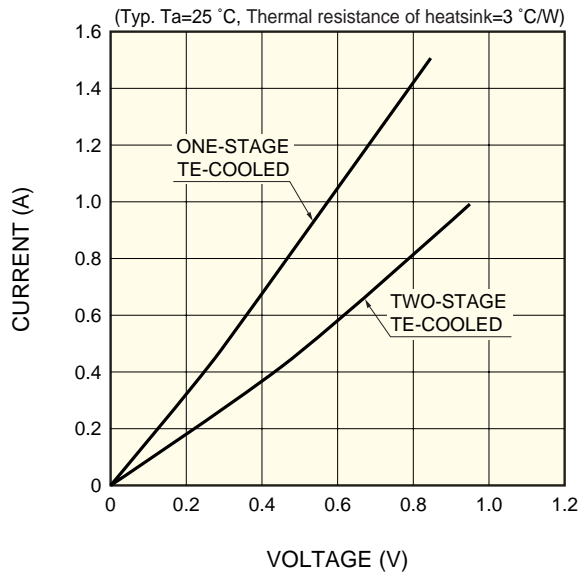
Linearity



Sensitivity uniformity

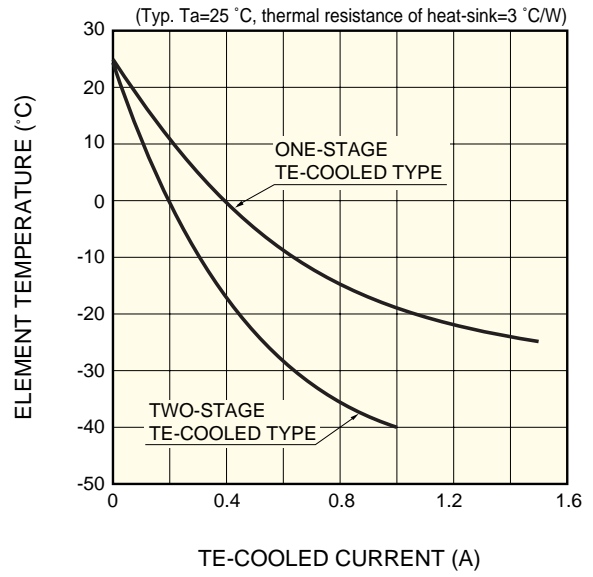


Current vs. voltage of TE-cooled type



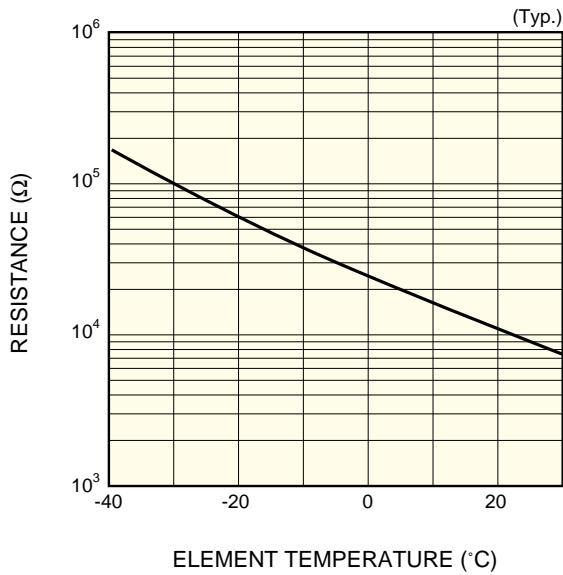
KIRDB0115EB

Cooling characteristics of TE-cooled type



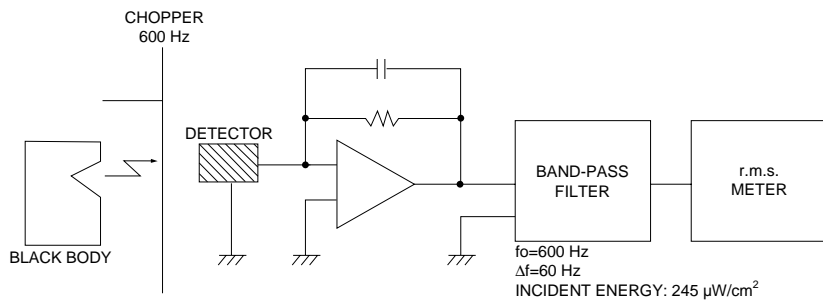
KIRDB0181EA

Thermistor temperature characteristic



KIRDB0116EA

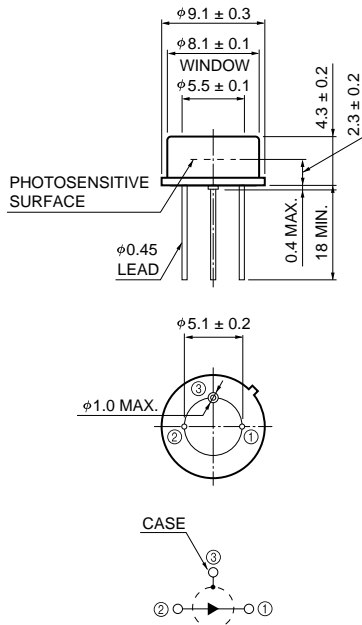
Measurement circuit



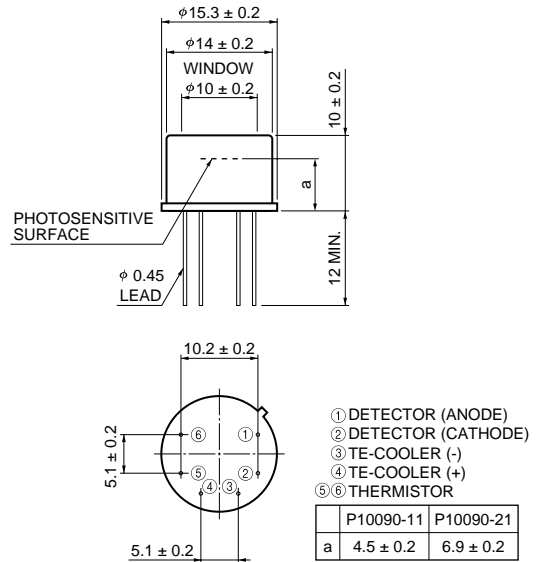
KIRDC0075EA

Dimensional outlines (unit: mm)

① P10090-01



② P10090-11/-21



- ① DETECTOR (ANODE)
- ② DETECTOR (CATHODE)
- ③ TE-COOLER (-)
- ④ TE-COOLER (+)
- ⑤ ⑥ THERMISTOR

	P10090-11	P10090-21
a	4.5 ± 0.2	6.9 ± 0.2

KIRDA0119EA

KIRDA0119EA